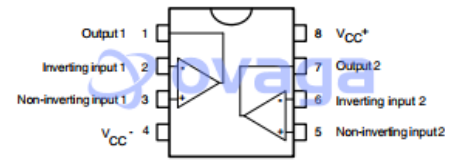


Operational Amplifier, 2 Amplifier, 5.5 MHz, 2.2 V/ $\mu$ s,  $\pm 2V$  to  $\pm 20V$ , SOIC, 8 Pins

Manufacturers	<a href="#">STMicroelectronics, Inc</a>
Package/Case	SO-8
Product Type	Amplifier ICs
RoHS	Green
Lifecycle	



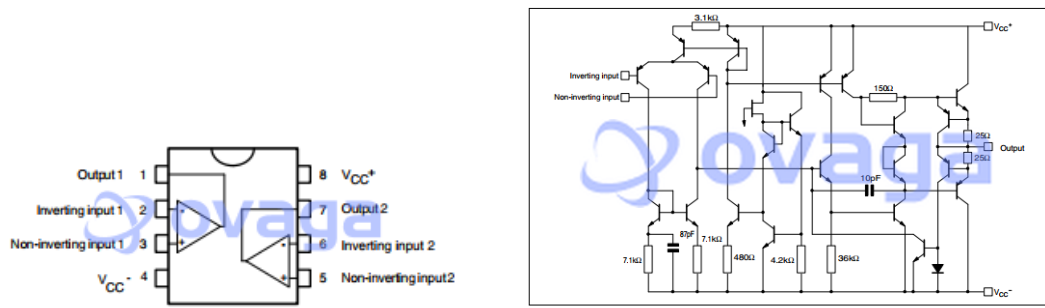
Images are for reference only

Please submit RFQ for MC4558IDT or [Email to us: sales@ovaga.com](mailto:sales@ovaga.com) We will contact you in 12 hours.

[RFQ](#)

## General Description

Ovaga has a large stock of MC4558IDT Amplifier ICs from STMicroelectronics, Inc and we guarantee that they are original, brand new parts sourced directly from STMicroelectronics, Inc We can provide quality testing reports for MC4558IDT upon your request. To obtain a quote, simply fill in the required quantity, contact name, and email address in the quick quote form on the right. Our sales representative will contact you within 12 hours.



## Related Products



[MC33078DT](#)

STMicroelectronics, Inc  
SOP-8



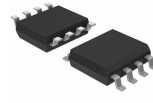
[MC1558N](#)

STMicroelectronics, Inc  
PDIP-8



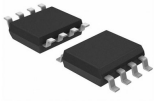
[MC33079YDT](#)

STMicroelectronics, Inc  
SOIC-14



[MC33172DT](#)

STMicroelectronics, Inc  
SO-8



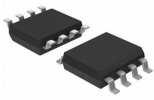
[MC33174DT](#)

STMicroelectronics, Inc  
SO-14



[MC4558IN](#)

STMicroelectronics, Inc  
PDIP-8



[MC4558ID](#)

STMicroelectronics, Inc  
SO-8



[MC1458IN](#)

STMicroelectronics, Inc  
PDIP-8