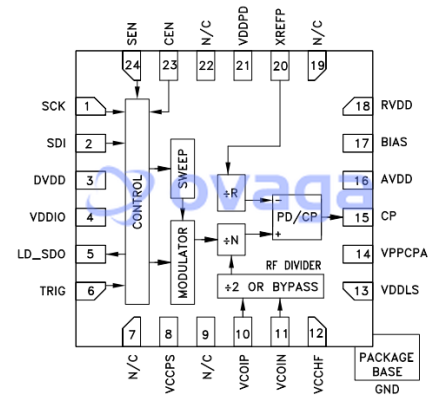


Clock Generator MHz to 8GHz Input Automotive 24Pin QFN EP

Manufacturers	Analog Devices, Inc
Package/Case	QFN-24
Product Type	Clock Generators
RoHS	Pb-free Halide free
Lifecycle	



Images are for reference only

Please submit RFQ for HMC703LP4E or [Email to us: sales@ovaga.com](mailto:sales@ovaga.com) We will contact you in 12 hours.

[RFQ](#)

General Description

The HMC703 fractional synthesizer is built upon the high performance PLL platform also contained in the HMC704 and Hittite's latest generation of PLL+VCO products. This platform has the best phase-noise and spurious performance in the industry - enabling higher order modulation schemes while minimizing blocker effects in high performance radios.

In addition, the HMC703 offers frequency sweep and modulation features, external triggering, double-buffering, exact frequency control, phase modulation and more - while maintaining pin compatibility for the main functions with the HMC700.

Features

Wide band: DC - 8 GHz RF Input

Industry Leading Phase Noise & Spurious: -112 dBc/Hz @ 8 GHz Fractional, 50 kHz Offset

Figure of Merit:

High PFD rate: 100 MHz

24 Lead 4 x 4 mm SMTPackage: 16 mm²

Application

Microwave Point-to-Point Radios

50 Base Stations for Mobile Radio(GSM, PCS, DCS, CDMA, WCDMA)

Wireless LANs, WiMAX

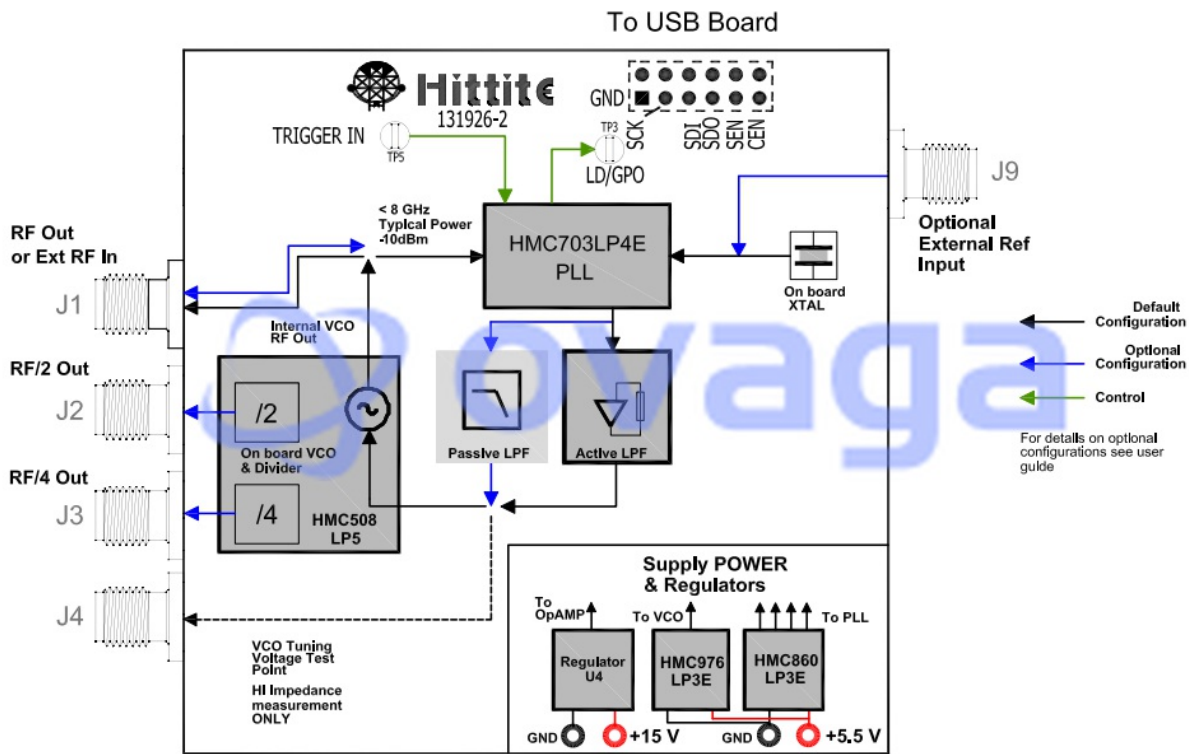
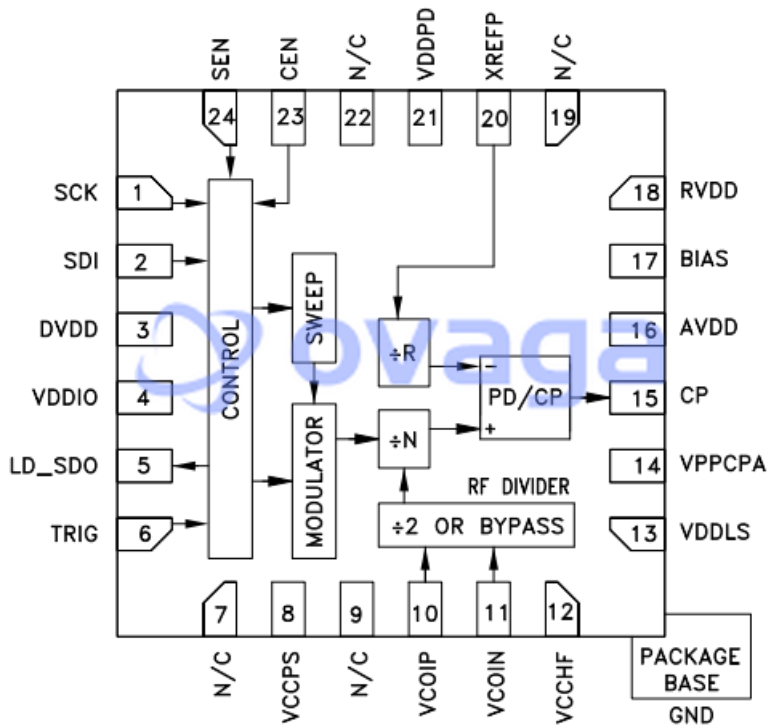
Communications Test Equipment

ATV Equipment

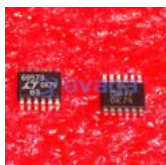
Automotive Sensors

AESA - Phased Arrays

FMCW Radar Systems



Related Products



[LTC6957HMS-3#PBF](#)

Analog Devices, Inc
MSOP-12



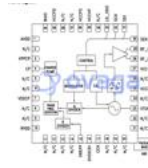
[HMC769LP6CE](#)

Analog Devices, Inc
40-QFN



[HMC987LP5E](#)

Analog Devices, Inc
32-VFQFN



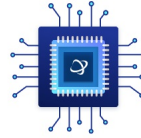
[HMC838LP6CE](#)

Analog Devices, Inc
QFN-40



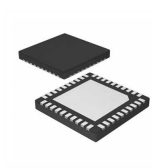
[HMC807LP6CETR](#)

Analog Devices, Inc
QFN40



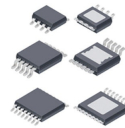
[HMC1031MS8E](#)

Analog Devices, Inc
8-MS8E



[HMC835LP6GE](#)

Analog Devices, Inc
QFN40



[LTC6957HMS-1#PBF](#)

Analog Devices, Inc
MSOP-12