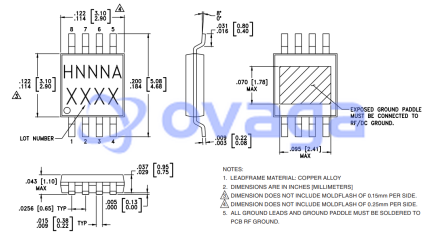


RF Switch IC, SPDT, Non-Reflective, DC to 4 GHz, +5 V, HMSOP-8

Manufacturers	<a href="#">Analog Devices, Inc</a>
Package/Case	MSOP-8
Product Type	RF Switches
RoHS	Pb-free Halide free
Lifecycle	



Images are for reference only

Please submit RFQ for HMC435AMS8GE or [Email to us: sales@ovaga.com](mailto:sales@ovaga.com) We will contact you in 12 hours.

[RFQ](#)

## General Description

The HMC435AMS8G(E) is a non-reflective DC to 4 GHz GaAs MESFET SPDT switch in a low cost 8lead MSOP8G surface mount package with exposed ground paddle. The switch is ideal for cellular/3G and WiMAX/4G applications yielding up to 60 dB isolation, low 0.8 dB insertion loss and +50 dBm input IP3. Power handling is excellent up through the 3.8 GHz WiMAX band with the switch offering a P1dB compression of +30 dBm. On-chip circuitry allows positive voltage control of 0/+5 Volts at very low DC currents.

## Features

High Isolation:

52 dB @ 2 GHz

Single Positive Control: 0/+5V

Input IP3: 54 dBm

Non-Reflective Design

Ultra Small MSOP-86 Package: 14.8 mm<sup>2</sup>

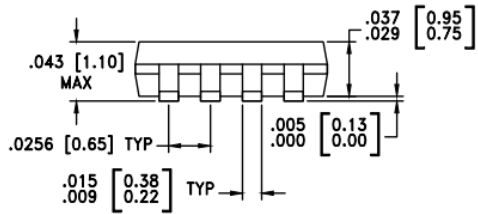
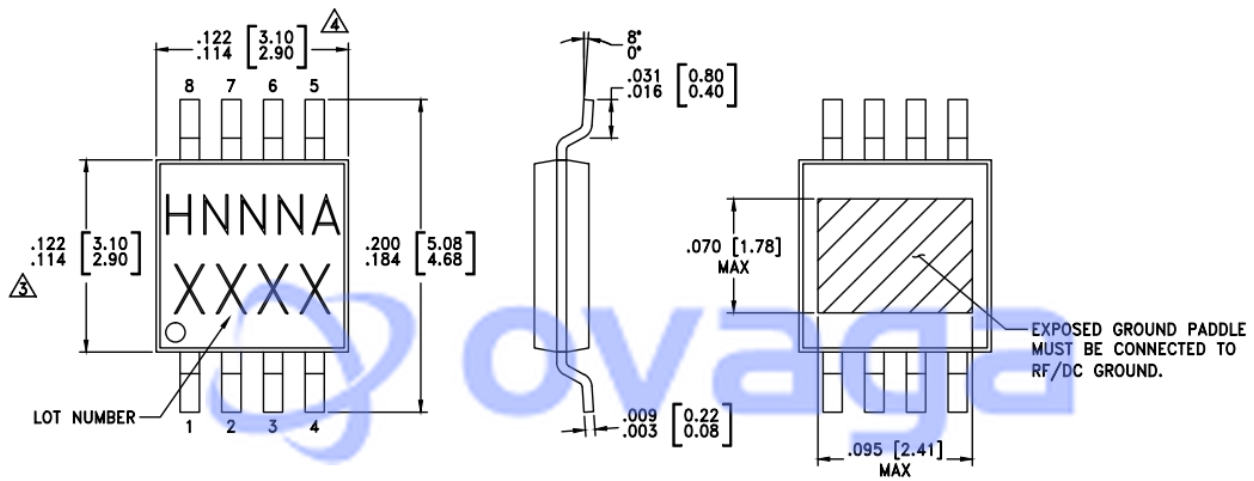
## Application

Basestations & Repeaters

Cellular/3G and WiMAX/4G

CATV/CMTS

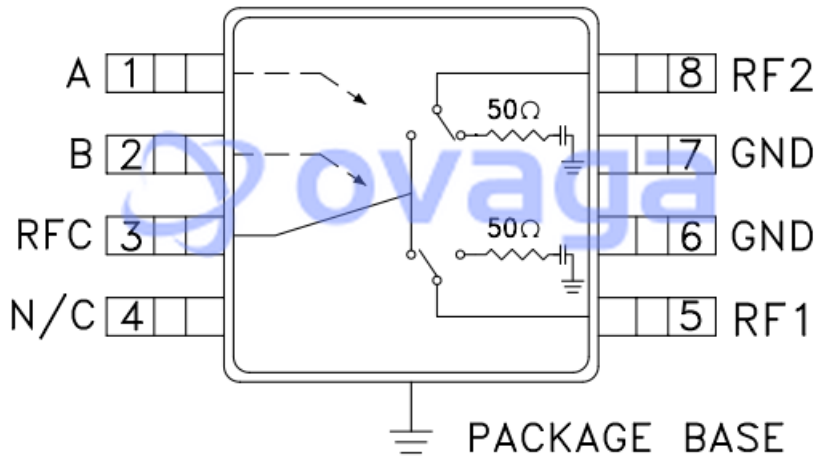
Test Instrumentation



NOTES:

1. LEADFRAME MATERIAL: COPPER ALLOY
2. DIMENSIONS ARE IN INCHES [MILLIMETERS]
- △ DIMENSION DOES NOT INCLUDE MOLDFLASH OF 0.15mm PER SIDE.
- △ DIMENSION DOES NOT INCLUDE MOLDFLASH OF 0.25mm PER SIDE.
5. ALL GROUND LEADS AND GROUND PADDLE MUST BE SOLDERED TO PCB RF GROUND.

## Functional Diagram



## Related Products



[HMC3653LP3BE](#)

Analog Devices, Inc  
QFN-12



[HMC253AQS24](#)

Analog Devices, Inc  
24-SSOP (0.154, 3.90mm Width)



[HMC441LP3E](#)

Analog Devices, Inc  
QFN-16



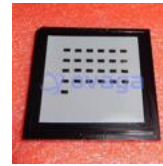
[HMC948LP3E](#)

Analog Devices, Inc  
LP3



[HMC358MS8GE](#)

Analog Devices, Inc  
MSOP-8



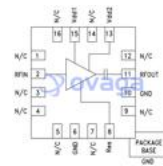
[HMC490](#)

Analog Devices, Inc  
SMD



[HMC453ST89E](#)

Analog Devices, Inc  
ST89E



[HMC618ALP3E](#)

Analog Devices, Inc  
QFN-16