

8 Bit MCU, MicroConverter with ADC, ADUC Family ADUC8 Series Microcontrollers, 16.78 MHz, 8 KB

Manufacturers	Analog Devices, Inc
Package/Case	TSSOP-28
Product Type	Embedded Processors & Controllers
RoHS	Rohs
Lifecycle	



Images are for reference only

Please submit RFQ for ADUC814ARUZ or [Email to us: sales@ovaga.com](mailto:sales@ovaga.com) We will contact you in 12 hours.

[RFQ](#)

General Description

The ADuC814 is available in a 28-pin TSSOP package and operates on a 3V or 5V power supply.

Features

6-Channel, 5 μ s, Self-Calibrating, 12-Bit ADC

Two 12-Bit Rail-to-Rail Voltage-Output DACs

Industry Standard 8052 Microcontroller

8K-Byte In-Circuit Re-Programmable Flash Program Memory

640-Byte Read/Write Accessible Non-Volatile Flash Data Memory

Temperature Monitor

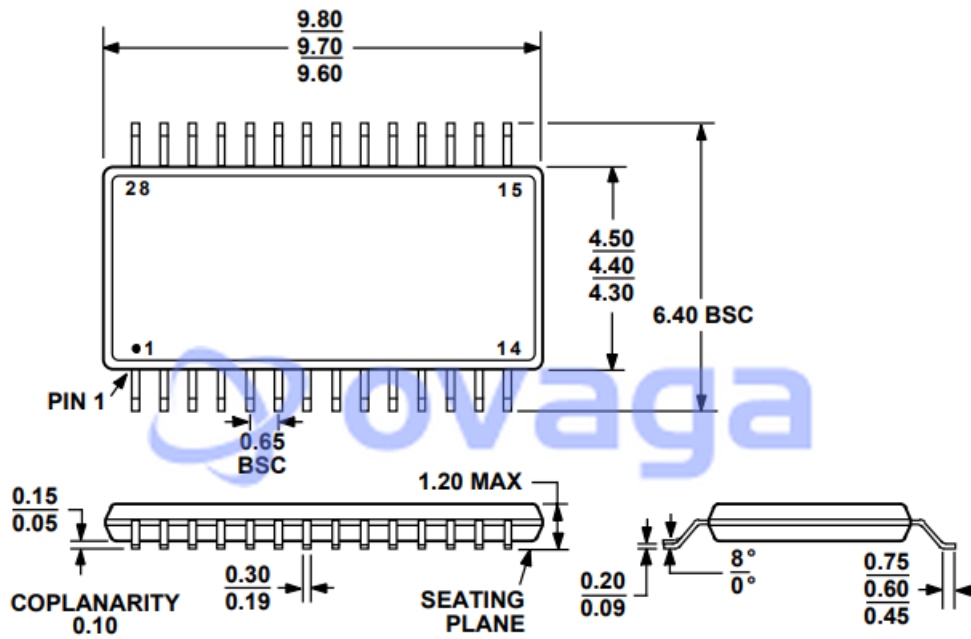
Programmable PLL Clock & Low Power Operating Modes

Reduced Pin-Count & Lower Cost

Voltage Reference, Serial Interface Ports, Watchdog Timer, Power Supply Monitor, Power-On-Reset (POR), etc

Embedded Download/Debug & Emulation Features

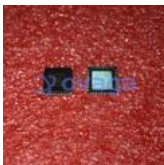




COMPLIANT TO JEDEC STANDARDS MO-153AE

Figure 67. 28-Lead Thin Shrink Small Outline Package (TSSOP) (RU-28)
Dimensions shown in mm

Related Products



[ADUC7022BCPZ62](#)

Analog Devices, Inc
LFCSP-40



[ADUC7020BCPZ62](#)

Analog Devices, Inc
LFCSP-40



[ADUC841BSZ62-5](#)

Analog Devices, Inc
QFP-52



[ADUC841BSZ62-3](#)

Analog Devices, Inc
QFP-52



[ADUC831BSZ](#)

Analog Devices, Inc
QFP-52



[ADSP-BF527BBCZ-5A](#)

Analog Devices, Inc
BGA-208



[ADSP-21369BBPZ-2A](#)

Analog Devices, Inc
SBGA-256



[ADSP-BF561SBBCZ-5A](#)

Analog Devices, Inc
CSPBGA-256