

1.0 A Output Current, Dual Power Operational Amplifiers, Op Amps 5-40V 1A Output Extended Temp

| | |
|---------------|---------------------------------------|
| Manufacturers | ON Semiconductor, LLC |
| Package/Case | SOIC-16 |
| Product Type | Amplifier ICs |
| RoHS | Rohs |
| Lifecycle | |



Images are for reference only

Please submit RFQ for TCA0372BDWR2G or [Email to us: sales@ovaga.com](mailto:sales@ovaga.com) We will contact you in 12 hours.

[RFQ](#)

General Description

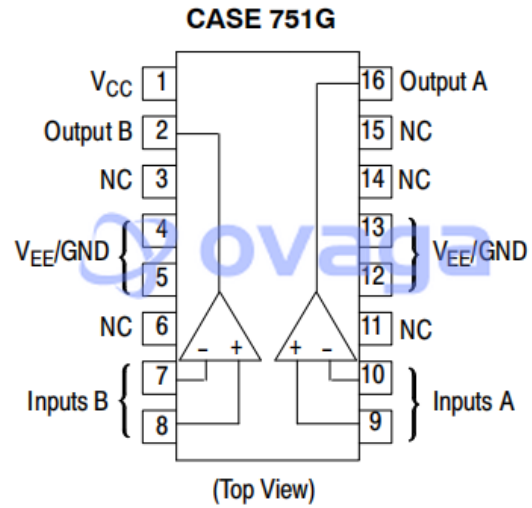
The TCA0372 is a monolithic circuit intended for use as a power op-amp in a wide range of applications, including servo amplifiers and power supplies. No deadband crossover distortion provides better performance for driving coils.

Features

- Output Current to 1.0 A
- Slew Rate of 1.3 V/μs
- Wide Bandwidth of 1.1 MHz
- Internal Thermal Shutdown
- Single or Split Supply Operation
- Excellent Gain and Phase Margins
- Common Mode Input Includes Ground
- Zero Deadband Crossover Distortion

Application

ONSEMI



Related Products



[TCA0372BDP1G](#)

ON Semiconductor, LLC
PDIP-8



[TCA0372DWG](#)

ON Semiconductor, LLC
SOIC-16



[TCA0372DWR2G](#)

ON Semiconductor, LLC
SOIC-16



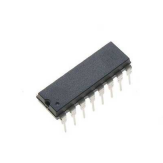
[TCA0372DP2](#)

ON Semiconductor, LLC
PDIP-16



[TCA0372DP1](#)

ON Semiconductor, LLC
PDIP-8



[TCA0372DP2G](#)

ON Semiconductor, LLC
PDIP-16



[TCA0372DP1G](#)

ON Semiconductor, LLC
PDIP-8



[TCA0372DM2ELG](#)

ON Semiconductor, LLC
SOEIAJ-16