

Digital to Analog Converters - DAC 8-BIT QUAD I2C

Manufacturers	Analog Devices, Inc
Package/Case	TSSOP-16
Product Type	Data Conversion ICs
RoHS	Rohs
Lifecycle	



Images are for reference only

Please submit RFQ for AD5306ARUZ or [Email to us: sales@ovaga.com](mailto:sales@ovaga.com) We will contact you in 12 hours.

[RFQ](#)

General Description

The AD5306/AD5316/AD5326 are quad 8-, 10-, and 12-bit buffered voltage output DACs, in a 16-lead TSSOP package, that operate from a single 2.5 V to 5.5 V supply, consuming 500 μ A at 3 V. Their on-chip output amplifiers allow rail-to-rail output swing with a slew rate of 0.7 V/ μ s. A 2-wire serial interface that operates at clock rates up to 400 kHz is used. This interface is SMBus-compatible at VDD < 3.6 V. Multiple devices can be placed on the same bus.

Product Highlights

Available in a 16-lead MicroSOIC package

Low power, single supply operation from 2.5 V to 5.5 V supply

Consumes 1.2mW at 3 V and 2.5 mW at 5 V

Rail-to-Rail output with a slew rate of 0.7 V/ μ s

Multiple devices can share the same bus

2-wire serial interface with clock rates up to 400 kHz

Pin- and Software-Compatible with the AD5316 (10-Bit) and the AD5326 (12-Bit)

I2C (Inter-IC) is a trademark of Philips Semiconductors.

Features

Four 8-Bit DACs in 16-Lead TSSOP

Low Power: 500 μ A @ 5 V, 400 μ A @ 3 V

Power-Down to 300 nA @ 5 V, 90 nA @ 3 V

Guaranteed Monotonic by Design

Power-On-Reset to Zero Volts

Double-Buffered Input Logic

Output Range: 0-VREF or 0-2VREF

2-Wire (I2C™ Compatible) Serial Interface

Data Readback Facility

Software Clear Facility

Simultaneous Update via LDAC pin (active low)

Buffered/Unbuffered Reference Input Options for each DAC



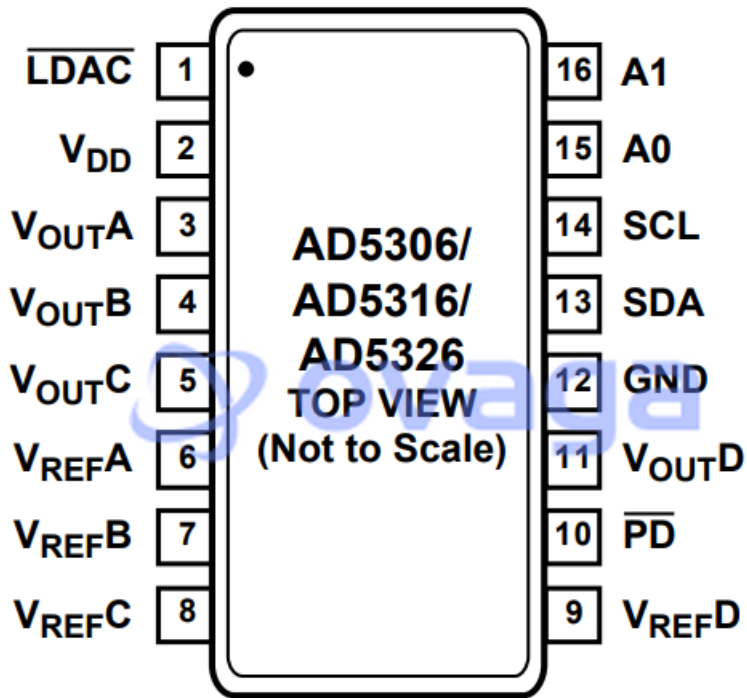
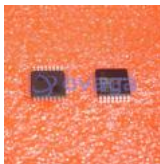


Figure 3. Pin Configuration

Related Products



[ADAS3022BCPZ](#)
Analog Devices, Inc
LFCSP-40



[AD7266BSUZ](#)
Analog Devices, Inc
TQFP-32



[AD574AJNZ](#)
Analog Devices, Inc
PDIP-28



[AD7401YRWZ](#)
Analog Devices, Inc
SOIC-16



[AD7938BSUZ](#)
Analog Devices, Inc
TQFP-32



[AD7192BRUZ-REEL](#)
Analog Devices, Inc
TSSOP-24



[AD7124-8BCPZ-RL7](#)
Analog Devices, Inc
LFCSP-32



[AD9680BCPZ-500](#)
Analog Devices, Inc
LFCSP-64