

CPLD XC9500 Family 800 Gates 36 Macro Cells 66.7MHz 0.5um (CMOS) Technology 5V

Manufacturers	AMD Xilinx, Inc
Package/Case	PLCC-44
Product Type	Programmable Logic ICs
RoHS	
Lifecycle	



Images are for reference only

Please submit RFQ for XC9536-10PC44C or [Email to us: sales@ovaga.com](mailto:sales@ovaga.com) We will contact you in 12 hours.

[RFQ](#)

General Description

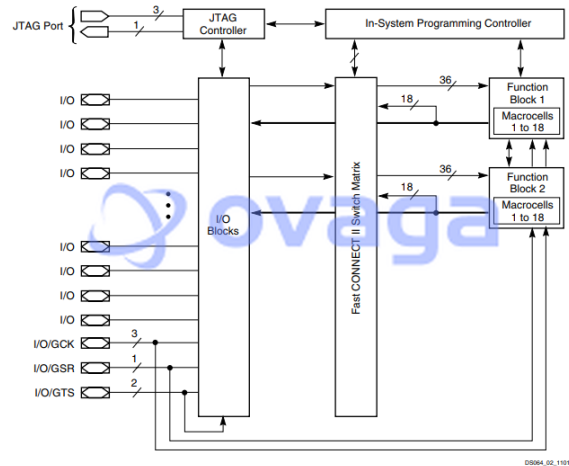
XC9536-10PC44C is a type of programmable logic device (PLD) manufactured by Xilinx Inc. It belongs to the XC9500 series and has 36 macrocells, 36 I/O pins, and 10ns propagation delay.

Features

- High-performance CPLD with 36 macrocells
- Advanced 0.35 μm CMOS process technology
- 10 ns pin-to-pin delay
- 36 user-programmable I/O pins
- In-system programmable (ISP) through JTAG interface
- Internal 3.3V or 5V power supply
- Low power consumption

Application

- Communications systems
- Industrial control systems
- Test and measurement equipment
- Automotive electronics
- Medical equipment
- Consumer electronics

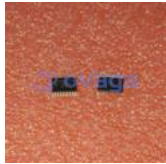


Related Products



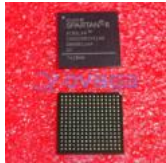
[XCF18V01S020C](#)

AMD Xilinx, Inc
SOP-20



[XCF04SV0G20C](#)

AMD Xilinx, Inc
TSSOP20



[XC6SLX4-2CSG225C](#)

AMD Xilinx, Inc
BGA-225



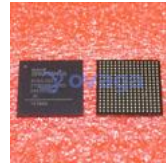
[XCV50-6BG256C](#)

AMD Xilinx, Inc
BGA256



[XCF08PV0G48C](#)

AMD Xilinx, Inc
TSOP-48



[XC6SLX25-3FTG256C](#)

AMD Xilinx, Inc
BGA-256



[XC6SLX16-3CSG324C](#)

AMD Xilinx, Inc
BGA-324



[XCF32PVO48C](#)

AMD Xilinx, Inc
TSOP48