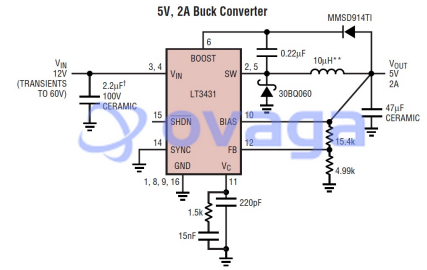


Conv DC-DC 5.5V to 60V Step Down Single-Out 1.2V to 48V 6.5A Automotive 16Pin TSSOP EP Tube

Manufacturers	<a href="#">Analog Devices, Inc</a>
Package/Case	SSOP-16
Product Type	Power Management ICs
RoHS	Pb-free Halide free
Lifecycle	



Images are for reference only

Please submit RFQ for LT3431IFE#PBF or [Email to us: sales@ovaga.com](mailto:sales@ovaga.com) We will contact you in 12 hours.

[RFQ](#)

## General Description

The LT3431 is a 500kHz monolithic buck switching regulator that accepts input voltages up to 60V. A high efficiency 3A, 0.1Ω switch is included on the die along with all the necessary oscillator, control and logic circuitry. A current mode architecture provides fast transient response and good loop stability.

Special design techniques and a new high voltage process achieve high efficiency over a wide input range. Efficiency is maintained over a wide output current range by using the output to bias the circuitry and by utilizing a supply boost capacitor to saturate the power switch. Patented circuitry maintains peak switch current over the full duty cycle range. A shutdown pin reduces supply current to 30µA and the device can be externally synchronized from 580kHz to 700kHz with logic level inputs.

The LT3431 is available in a thermally enhanced 16-pin TSSOP package.

## Features

Wide Input Range: 5.5V to 60V

3A Peak Switch Current

Small Thermally Enhanced 16-Pin TSSOP Package

Constant 500kHz Switching Frequency

Saturating Switch Design:  $0.1\Omega$

Peak Switch Current Maintained Over Full Duty Cycle Range

Effective Supply Current: 2.5mA

Shutdown Current:  $30\mu\text{A}$

1.2V Feedback Reference Voltage

Easily Synchronizable

Cycle-by-Cycle Current Limiting

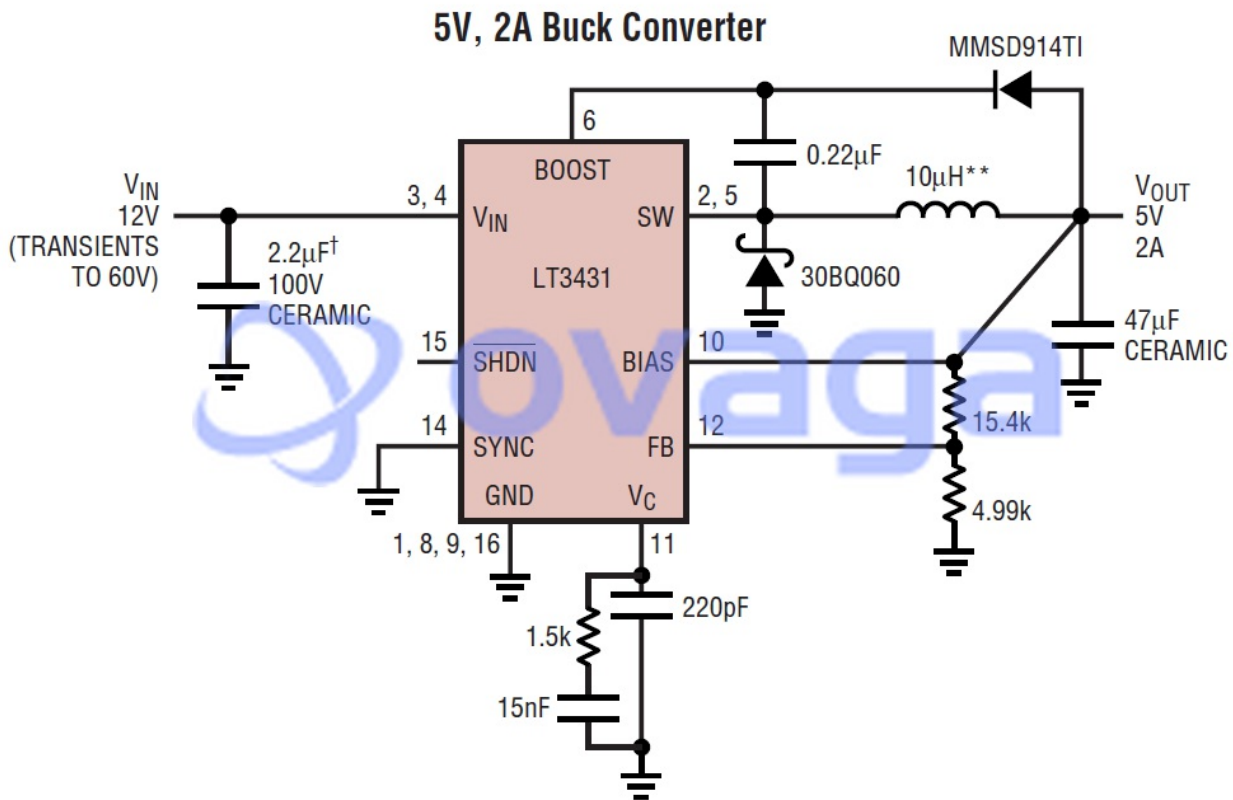
## Application

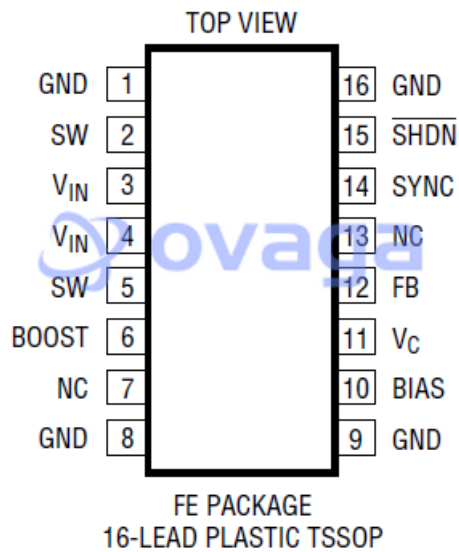
Industrial and Automotive Power Supplies

Portable Computers

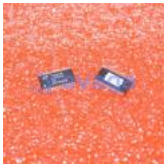
Battery Chargers

Distributed Power Systems





### Related Products



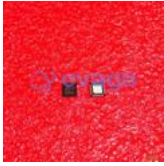
[LT3763EFE](#)

Analog Devices, Inc  
TSSOP28



[LT1038CK](#)

Analog Devices, Inc  
TO-3



[LTC4417IUF](#)

Analog Devices, Inc  
QFN-24



[LTC3440EMS](#)

Analog Devices, Inc  
MSOP10



[LTC1966CMS8#PBF](#)

Analog Devices, Inc  
MSOP-8P



[LTC2990IMS#PBF](#)

Analog Devices, Inc  
10MSOP



[LTM8045EY#PBF](#)

Analog Devices, Inc  
BGA40



[LT4295IUFD#PBF](#)

Analog Devices, Inc  
28-WFQFN