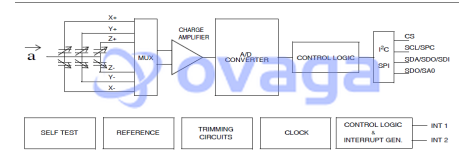


MEMS digital output motion sensor ultra low-power high performance 3-axes "nano" accelerometer, Board Mount Accelerometers DGTL OUTPT MTN SEN MEMS ULTRA LO PWR



Images are for reference only

Manufacturers	STMicroelectronics, Inc
Package/Case	LGA16
Product Type	Motion & Position Sensors
RoHS	Rohs
Lifecycle	

Please submit RFQ for LIS331DLMTR or [Email to us: sales@ovaga.com](mailto:sales@ovaga.com) We will contact you in 12 hours.

[RFQ](#)

General Description

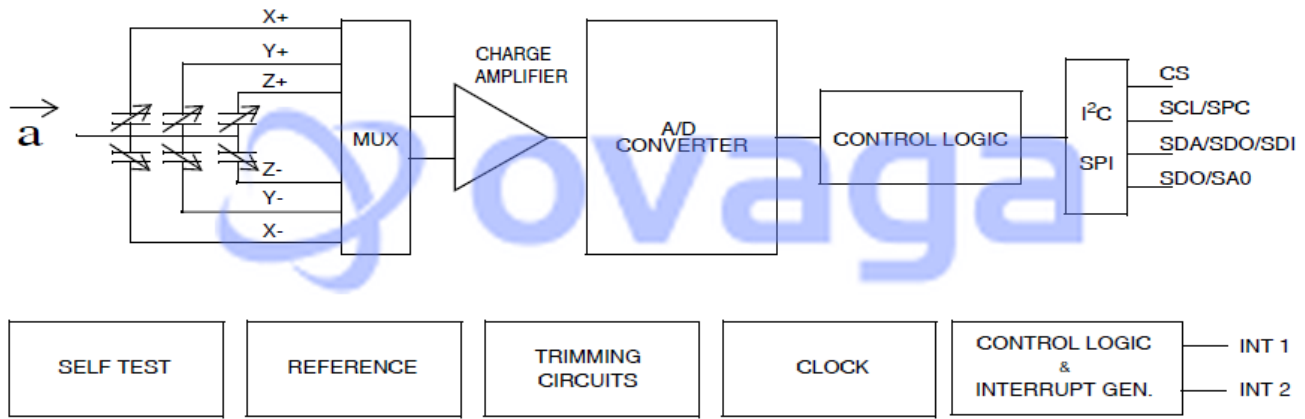
LIS331DLMTR is a digital three-axis accelerometer manufactured by STMicroelectronics. It is a low-power, high-performance MEMS (micro-electromechanical system) sensor that is commonly used in a wide range of applications.

Features

- Low power consumption
- High sensitivity
- Wide measurement range
- Programmable interrupt thresholds
- Digital output via SPI or I2C interfaces
- Operating voltage range: 2.16V to 3.6V

Application

- Motion sensing for consumer electronics devices such as smartphones, tablets, and gaming controllers
- Vibration monitoring and analysis for industrial machinery
- Impact detection for automotive and aerospace applications
- Tilt sensing and orientation detection for IoT devices and robotics



Related Products



[LIS3DSHTR](#)

STMicroelectronics, Inc
LGA-16



[LIS3LV02DQ](#)

STMicroelectronics, Inc
QFPN-28



[LIS3LV02DL](#)

STMicroelectronics, Inc
LGA16



[LIS302DLTR](#)

STMicroelectronics, Inc
LGA-14



[LIS244AL](#)

ST
LGA-16



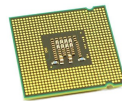
[LIS302DL](#)

STMicroelectronics, Inc
LGA-14



[LIS33DETR](#)

STMicroelectronics, Inc
LGA-16



[LIS331HHTR](#)

STMicroelectronics, Inc
LGA-16