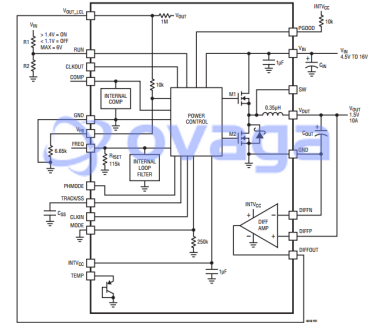


LTM4649 - 10A Step-Down DC-DC Module (Power Module) Regulator

Manufacturers	Analog Devices, Inc
Package/Case	BGA-68
Product Type	Power Management ICs
RoHS	Green
Lifecycle	

BLOCK DIAGRAM



Images are for reference only

Please submit RFQ for LTM4649IY#PBF or [Email to us: sales@ovaga.com](mailto:sales@ovaga.com) We will contact you in 12 hours.

[RFQ](#)

General Description

The LTM4649 is a complete 10A high efficiency switching mode step-down DC/DC μ Module[®] regulator in a 9mm \times 15mm \times 4.92 BGA package. Included in the package are the switching controller, power FETs, inductor, and all support components. Operating over an input voltage range of 4.5V to 16V, the LTM4649 supports an output voltage range of 0.6V to 3.3V, set by a single external resistor. This high efficiency design delivers 10A continuous current. Only bulk input and output capacitors are needed.

High switching frequency and a current mode architecture enable a very fast transient response to line and load changes without sacrificing stability. The device supports frequency synchronization, programmable multiphase operation, and output voltage tracking for supply rail sequencing.

Fault protection features include output overvoltage and overcurrent protection. The LTM4649 is offered in a small 9mm \times 15mm \times 4.92mm BGA package available with SnPb or RoHS compliant terminal finish.

Features

10A DC Output Current

Input Voltage Range: 4.5V to 16V

Output Voltage Range: 0.6V Up to 3.3V

No Heat Sink or Current Derating Up to 85°C Ambient Temperature

Multiphase Operation with Current Sharing

Remote Sense Amplifier

Built-In General Purpose Temperature Monitor

Selectable Pulse-Skipping Mode/Burst Mode® Operation for High Efficiency at Light Load

Soft-Start/Voltage Tracking

Protection: Output Overvoltage and Overcurrent Foldback

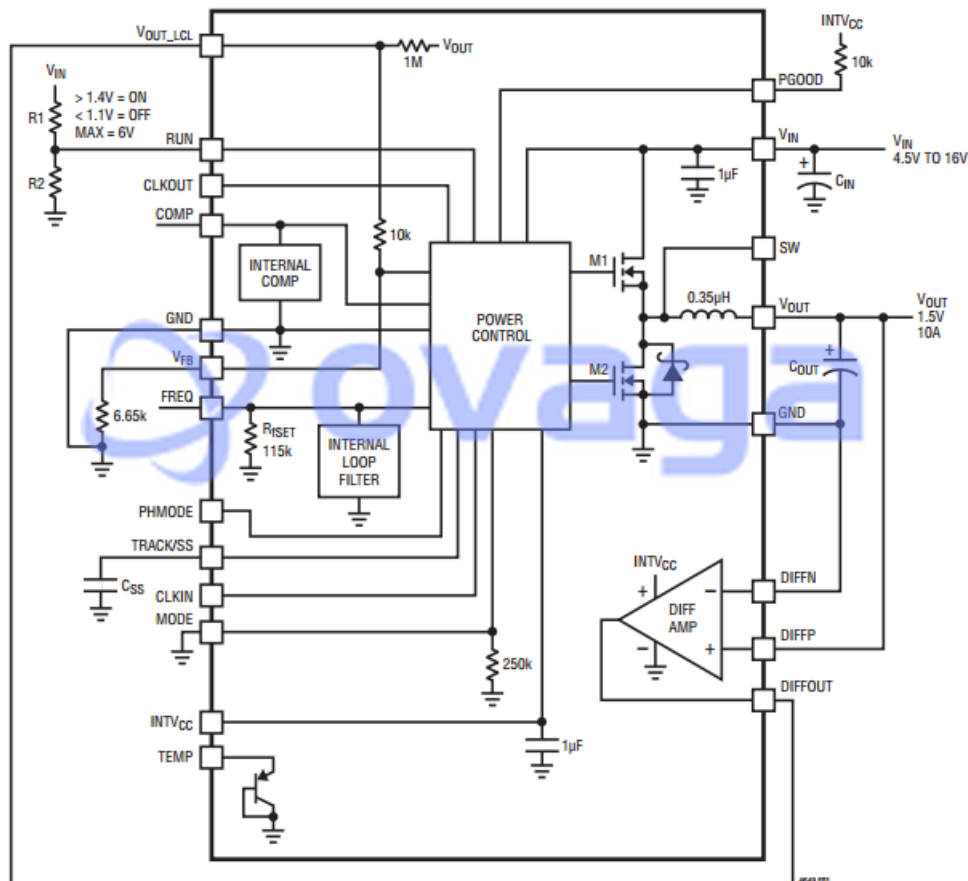
9mm × 15mm × 4.92mm BGA Package

Application

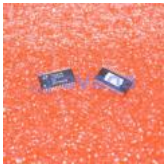
Telecom, Networking and Industrial Equipment

Point of Load Regulation

BLOCK DIAGRAM

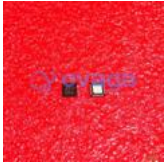


Related Products



[LT3763EFE](#)

Analog Devices, Inc
TSSOP28



[LTC4417IUF](#)

Analog Devices, Inc
QFN-24



[LTC1966CMS8#PBF](#)

Analog Devices, Inc
MSOP-8P



[LTM8045EX#PBF](#)

Analog Devices, Inc
BGA40



[LT1038CK](#)

Analog Devices, Inc
TO-3



[LTC3440EMS](#)

Analog Devices, Inc
MSOP10



[LTC2990IMS#PBF](#)

Analog Devices, Inc
10MSOP



[LT4295IUFD#PBF](#)

Analog Devices, Inc
28-WFQFN