

DACPORT Low Cost, Complete uP-Compatible 8-Bit DAC D/A Converter

Manufacturers	Analog Devices, Inc
Package/Case	PLCC-20
Product Type	Data Conversion ICs
RoHS	
Lifecycle	



Images are for reference only

Please submit RFQ for AD558KP or [Email to us: sales@ovaga.com](mailto:sales@ovaga.com) We will contact you in 12 hours.

[RFQ](#)

General Description

AD558KP is a 16-pin IC (integrated circuit) that belongs to the Analog Devices family of digital-to-analog converters (DACs). It is a precision 8-bit DAC with a multiplying output and a built-in reference. Here are some of its features:

Features

- 8-bit resolution
- Multiplying DAC architecture
- Built-in reference voltage of 2.5V
- Monotonic over the entire operating range
- Low power consumption
- Wide power supply range of 4.5V to 16.5V
- Buffered voltage output with output gain of 1 or 2

Application

- Industrial process control
- Automatic test equipment
- Digital signal processing
- Programmable gain amplifiers
- Signal generators

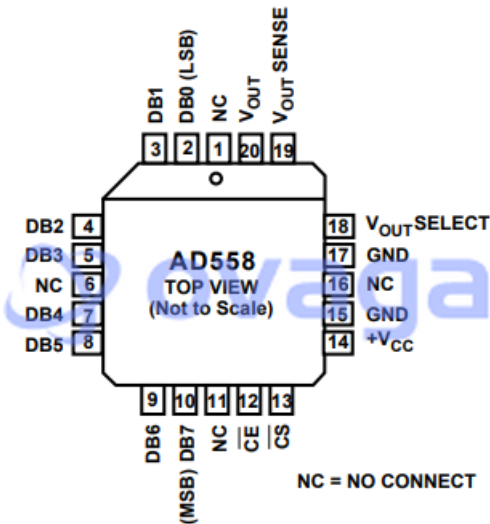
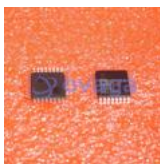


Figure 1b. AD558 Pin Configuration (PLCC and LCC)

Related Products



[ADAS3022BCPZ](#)
Analog Devices, Inc
LFCSP-40



[AD7266BSUZ](#)
Analog Devices, Inc
TQPF-32



[AD574AJNZ](#)
Analog Devices, Inc
PDIP-28



[AD7401YRWZ](#)
Analog Devices, Inc
SOIC-16



[AD7938BSUZ](#)

Analog Devices, Inc
TQFP-32



[AD7124-8BCPZ-RL7](#)

Analog Devices, Inc
LFCSP-32



[AD7192BRUZ-REEL](#)

Analog Devices, Inc
TSSOP-24



[AD9680BCPZ-500](#)

Analog Devices, Inc
LFCSP-64