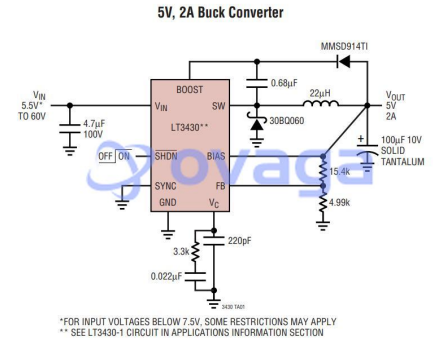


Conv DC-DC 5.5V to 60V Step Down Single-Out 1.2V to 54V 6.5A Automotive 16-Pin TSSOP EP

Manufacturers	Analog Devices, Inc
Package/Case	TSSOP-16
Product Type	Switch, DC to DC regulator, the controller
RoHS	
Lifecycle	



Images are for reference only

Please submit RFQ for LT3430IFE or [Email to us: sales@ovaga.com](mailto:sales@ovaga.com) We will contact you in 12 hours.

[RFQ](#)

General Description

The LT3430/LT3430-1 are monolithic buck switching regulators that accept input voltages up to 60V. A high efficiency 3A, 0.1Ω switch is included on the die along with all the necessary oscillator, control and logic circuitry. A current mode architecture provides fast transient response and excellent loop stability.

Special design techniques and a new high voltage process achieve high efficiency over a wide input range. Efficiency is maintained over a wide output current range by using the output to bias the circuitry and by utilizing a supply boost capacitor to saturate the power switch. Patented circuitry* maintains peak switch current over the full duty cycle range. A shutdown pin reduces supply current to 30μA and a SYNC pin can be externally synchronized with a logic level input from 228kHz to 700kHz for the LT3430 or from 125kHz to 250kHz for the LT3430-1.

The LT3430/LT3430-1 are available in a thermally enhanced 16-pin TSSOP package.

Features

Wide Input Range: 5.5V to 60V

3A Peak Switch Current over All Duty Cycles

Constant Switching Frequency:

200kHz (LT3430)

100kHz (LT3430-1)

0.1 Ω Switch Resistance

Current Mode

Effective Supply Current: 2.5mA

Shutdown Current: 30 μ A

1.2V Feedback Reference Voltage

Easily Synchronizable

Cycle-by-Cycle Current Limiting

Small, 16-Pin Thermally Enhanced TSSOP Package

Application

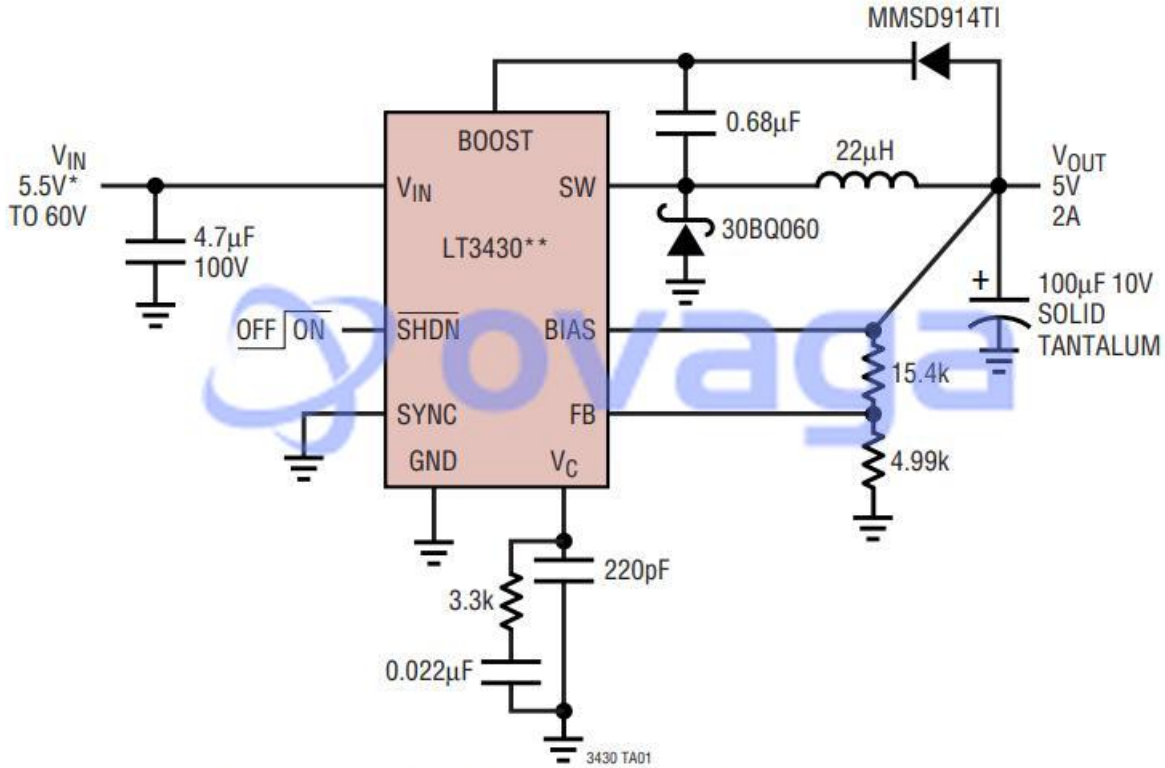
Industrial and Automotive Power Supplies

Portable Computers

Battery Chargers

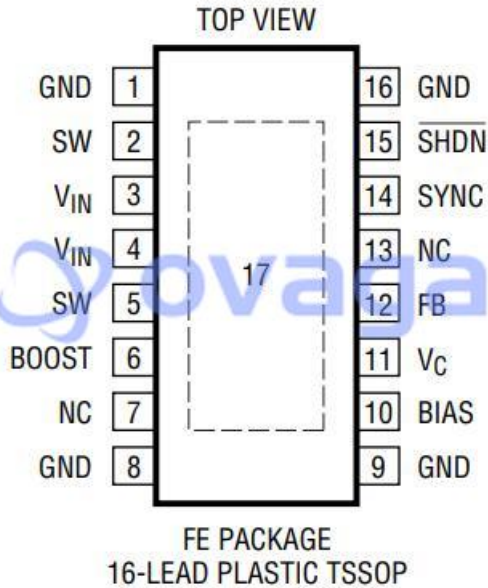
Distributed Power Systems

5V, 2A Buck Converter



*FOR INPUT VOLTAGES BELOW 7.5V, SOME RESTRICTIONS MAY APPLY

** SEE LT3430-1 CIRCUIT IN APPLICATIONS INFORMATION SECTION



Related Products



[LTC3832EGN](#)

Analog Devices, Inc
SSOP-16



[LTC3900ES8](#)

Analog Devices, Inc
SOP8



[LT1074IT7](#)

Analog Devices, Inc
TO-220-7



[LT1074HVCT7](#)

Analog Devices, Inc
TO-220-7



[LT1158CSW](#)

Analog Devices, Inc
SOP16



[LTC1625IS](#)

Analog Devices, Inc
SOP16



[LTC1625CS](#)

Analog Devices, Inc
SOIC-16



[LTC1628CG](#)

Analog Devices, Inc
SSOP-28