

PLL Frequency Synthesis, 6 GHz, 2.7 V to 3.3 V supply, TSSOP-16

Manufacturers	Analog Devices, Inc
Package/Case	TSSOP-16
Product Type	Clock/Timing - Clock Generators, PLLs, Frequency Synthesizers
RoHS	Rohs
Lifecycle	



Images are for reference only

Please submit RFQ for ADF4156BRUZ or [Email to us: sales@ovaga.com](mailto:sales@ovaga.com) We will contact you in 12 hours.

[RFQ](#)

General Description

The ADF4156 is a 6.2 GHz fractional-N frequency synthesizer that implements local oscillators in the up-conversion and down-conversion sections of wireless receivers and transmitters. It consists of a low noise digital phase frequency detector (PFD), a precision charge pump, and a programmable reference divider. There is a $\Sigma\Delta$ based fractional interpolator to allow programmable fractional-N division. The INT, FRAC, and MOD registers define an overall N divider>

Control of all on-chip registers is via a simple 3-wire interface. The device operates with a power supply ranging from 2.7 V to 3.3 V and can be powered down when not in use.

Features

RF bandwidth to 6.2 GHz

2.7 V to 3.3 V power supply

Separate VP allows extended tuning voltage

Programmable fractional modulus

Programmable charge pump currents

3-wire serial interface

Digital lock detect

Power-down mode

Pin compatible with the ADF4110, ADF4111, ADF4112, ADF4113, ADF4106, ADF4153, and ADF4154 frequency synthesizers

Programmable RF output phase

Loop filter design possible with ADIsimPLL

Cycle slip reduction for faster lock times

Application

CATV equipment

Base stations for mobile radio (WiMAX, GSM, PCS, DCS, SuperCell 3G, CDMA, WCDMA)

Wireless handsets (GSM, PCS, DCS, CDMA, WCDMA)

Wireless LANs, PMR

Communications test equipment



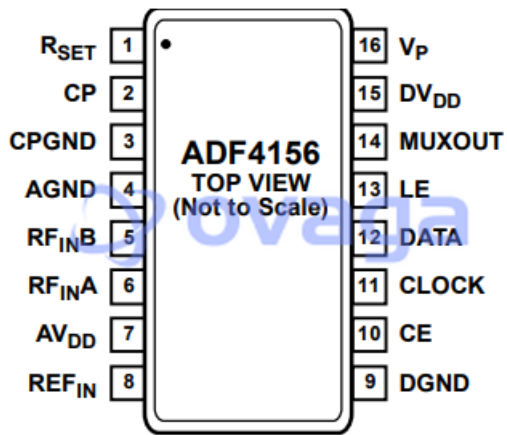


Figure 3. TSSOP Pin Configuration

Related Products



[ADF4350BCPZ](#)

Analog Devices, Inc
LFCSP-32



[ADF4111BRUZ](#)

Analog Devices, Inc
TSSOP-16



[ADF4116BRUZ](#)

Analog Devices, Inc
TSSOP-16



[ADF4193BCPZ](#)

Analog Devices, Inc
LFCSP-32



[AD9516-4BCPZ](#)

Analog Devices, Inc
LFCSP64



[ADF4113BRUZ](#)

Analog Devices, Inc
TSSOP-16



[ADF4110BRUZ](#)

Analog Devices, Inc
TSSOP-16



[AD2S99BPZ](#)

Analog Devices, Inc
PLCC-20