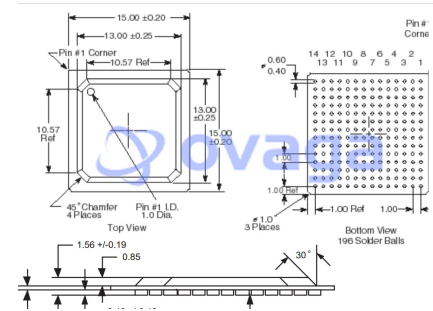


Intel® 82541PI Gigabit Ethernet Controller, Single Port, PBGA, Tray

Manufacturers	Intel Corp
Package/Case	BGA
Product Type	Integrated Circuits (ICs)
RoHS	
Lifecycle	



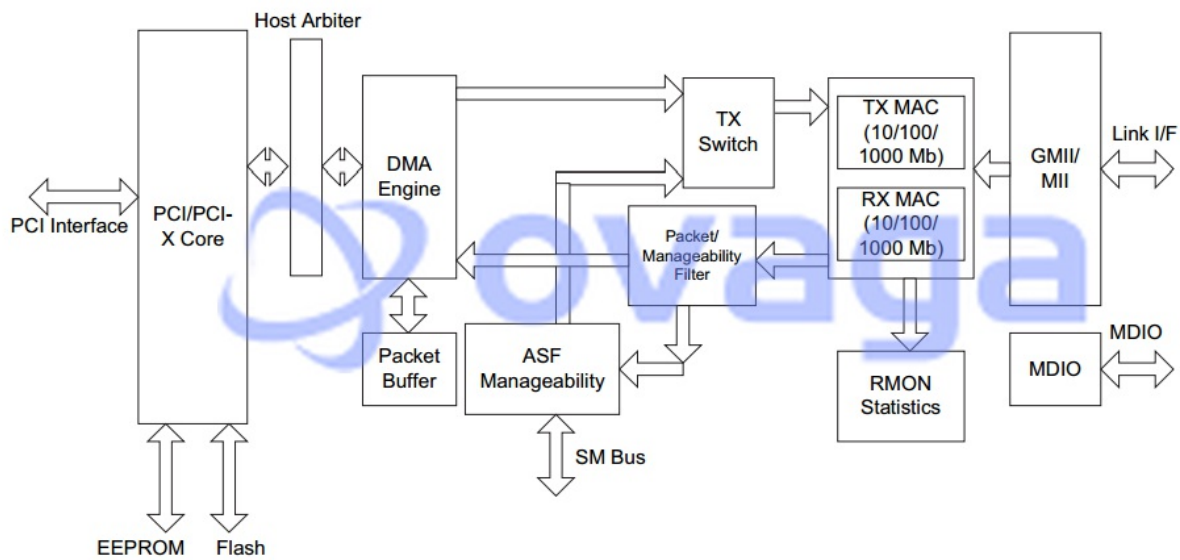
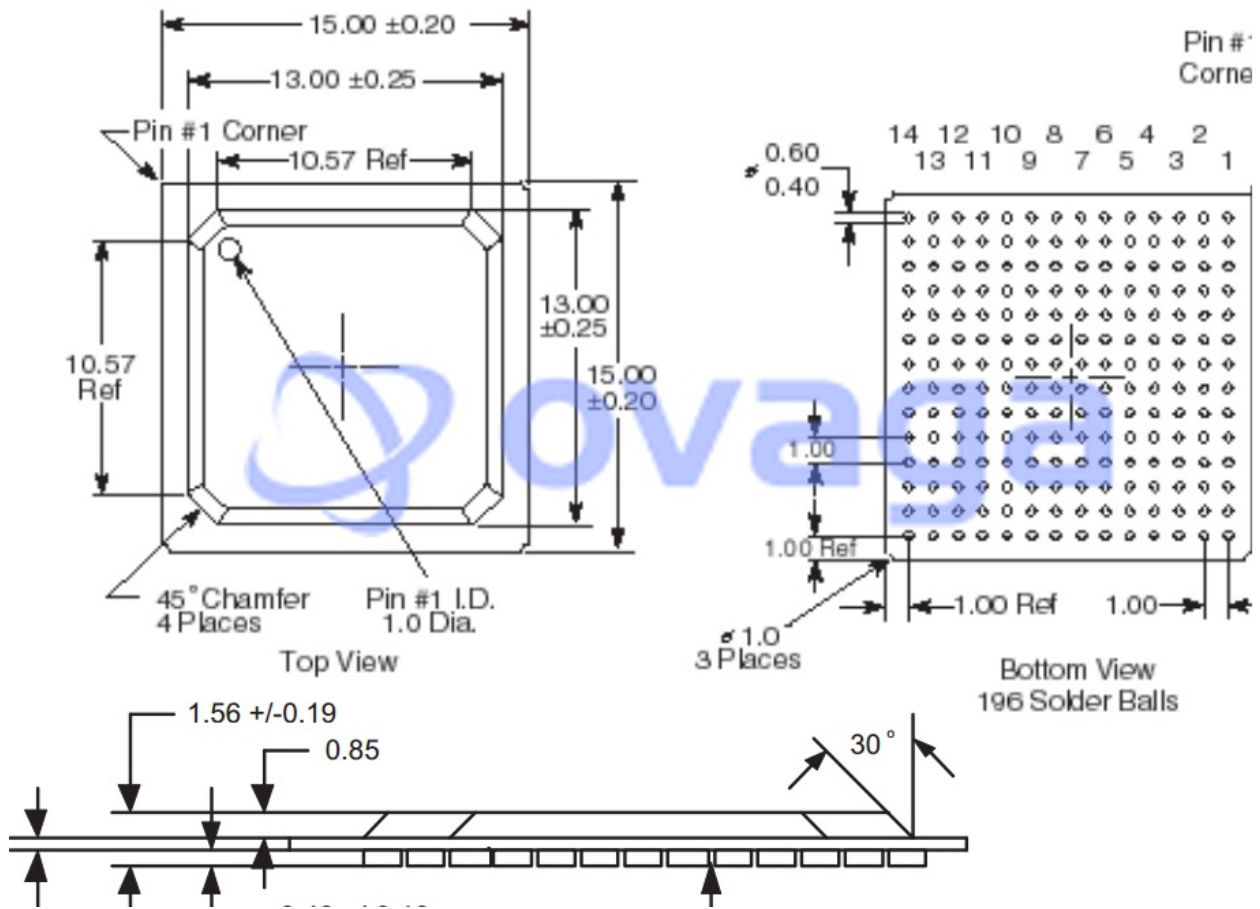
Images are for reference only

Please submit RFQ for GD82541PI or [Email to us: sales@ovaga.com](mailto:sales@ovaga.com) We will contact you in 12 hours.

[RFQ](#)

General Description

Ovaga has a large stock of GD82541PI Integrated Circuits (ICs) from Intel Corp and we guarantee that they are original, brand new parts sourced directly from Intel Corp. We can provide quality testing reports for GD82541PI upon your request. To obtain a quote, simply fill in the required quantity, contact name, and email address in the quick quote form on the right. Our sales representative will contact you within 12 hours.



Related Products



[GD82551ER](#)

Intel Corp
BGA-196



[GD82551IT](#)

Intel Corp
BGA196



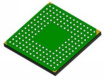
[GD82551QM](#)

Intel Corp
BGA1515



[GD82550GY](#)

Intel Corp
BGA1515



[GD82562EZ](#)

Intel Corp
LBGA196



[D8284A](#)

Intel Corp
DIP-18



[P82C54-2](#)

Intel Corp
DIP-24



[TE28F160](#)

Intel Corp