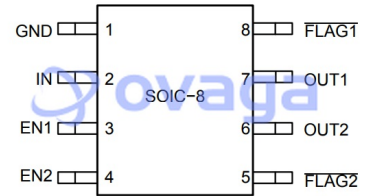


Power Load Distribution Switch, High Side, 2 Outputs, 5.5V, 500mA, 0.08ohm, SOIC-8



Images are for reference only

Manufacturers	ON Semiconductor, LLC
Package/Case	SOIC-8
Product Type	Power Management ICs
RoHS	PPAP Capable Pb-free Halide free
Lifecycle	

Please submit RFQ for NCP382HD05AAR2G or [Email to us: sales@ovaga.com](mailto:sales@ovaga.com) We will contact you in 12 hours.

[RFQ](#)

General Description

The NCP382 is a single input dual outputs high side power distribution switch designed for applications where heavy capacitive loads and short circuits are likely to be encountered, incorporating two 80 mΩ, P-channel MOSFETs in a single package. The device limits the output current to a desired level by switching into a constant current mode when the output load exceeds the current limit threshold or a short is present. The current limit threshold is internally fixed. The power switches rise and fall times are controlled to minimize current ringing during switching. The FLAG logic output asserts low during overcurrent and over temperature conditions. The switch is controlled by a logic enable input active high or low.

Features

2.5 V - 5.5 V operating range

80 mΩ high side MOSFET

Current limit: Fixed 500 mA, 1.0 A, 1.5 A and 2 A

Undervoltage lockout

Soft start prevents inrush current

Thermal Protection

Soft turn-off

Enable active high or low (EN or /EN)

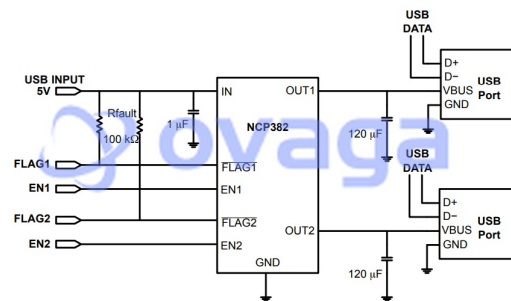
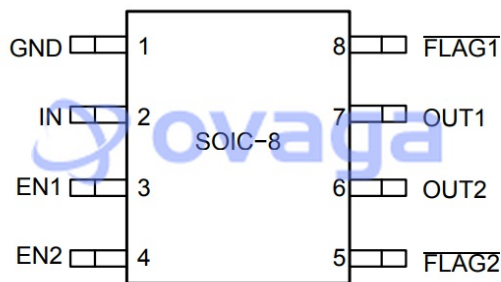
Compliance to IEC61000-4-2 (Level 4)8.0 kV (Contact) 15 kV (Air)

UL Listed for SOIC package (NCP382xDxxxx)– File No. E343275

IEC60950 – Edition 2 – Amendment 2 Certified (CB Scheme) for SOIC package (NCP382xDxxxx)

Application

ONSEMI

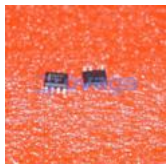


Related Products



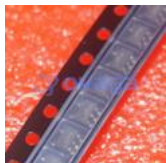
[NCP603SN330T1G](#)

ON Semiconductor, LLC
TSOP-5



[NCP1234AD65R2G](#)

ON Semiconductor, LLC
SOIC-7



[NCP551SN18T1G](#)

ON Semiconductor, LLC
SOT-23-5



[NCP1399ACDR2G](#)

ON Semiconductor, LLC
SOP16



[NCP3334DADJR2G](#)

ON Semiconductor, LLC
SOIC-8



[NCP330MUTBG](#)

ON Semiconductor, LLC
UDFN-4



[NCV4274ADS50R4G](#)

ON Semiconductor, LLC

SOT263



[NCP1252ADR2G](#)

ON Semiconductor, LLC

SOIC-8