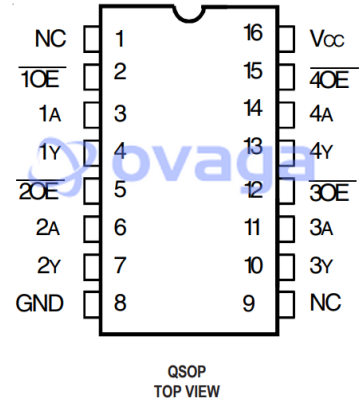


IC BUS SWITCH QUAD 16QSOP; HT SUSA CODE:8542390000

PIN CONFIGURATION



Images are for reference only

Manufacturers	Renesas Technology Corp
Package/Case	QSOP-16
Product Type	Logic ICs
RoHS	Rohs
Lifecycle	

Please submit RFQ for QS3125QG or [Email to us: sales@ovaga.com](mailto:sales@ovaga.com) We will contact you in 12 hours.

[RFQ](#)

General Description

The QS3125 provides a set of four high-speed low resistance CMOS switches connecting inputs to outputs without propagation delay and without generating additional ground bounce noise. The QS3125 is ideal for signal and control switching since the device adds no noise, ground bounce, propagation delay, or significant power consumption to the system. The QS3125 can also be used for analog switching applications such as video. The QS3125 operates at -40C to +85C.

Features

Enhanced N channel FET with no inherent diode to Vcc

Pin compatible with the 74'125 function

Undershoot clamp diodes on all switch and control inputs

Hot-swapping, hot-docking

Voltage translation (5V to 3.3V)

Power conservation

Capacitance reduction and isolation (mass storage, work stations)

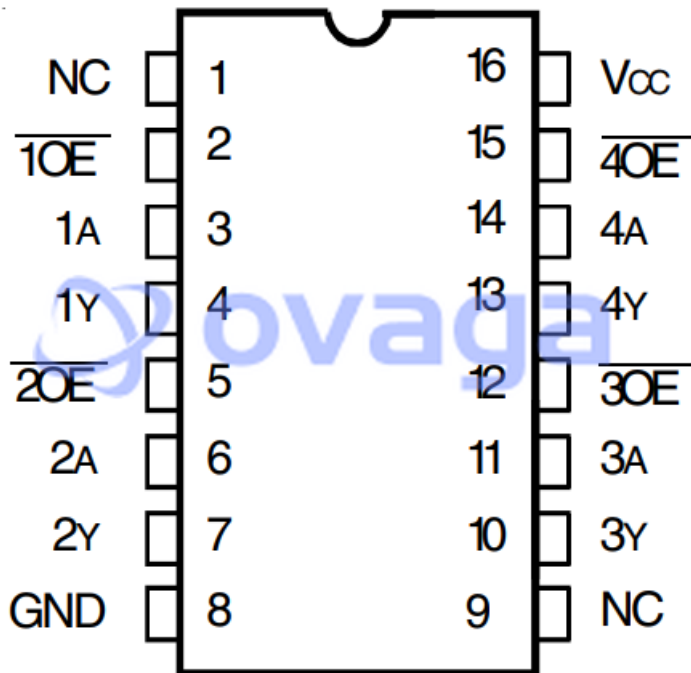
Logic replacement (data processing)

Clock gating

Bus isolation

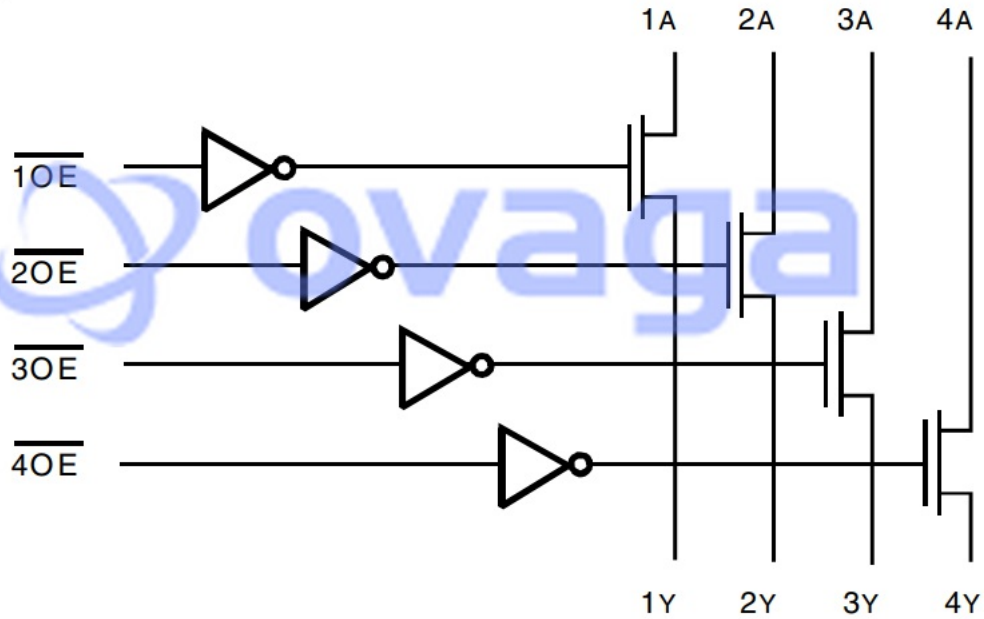
Available in 16 pin QSOP and 14 pin SOIC packages

PIN CONFIGURATION



QSOP
TOP VIEW

FUNCTIONAL BLOCK DIAGRAM



Related Products



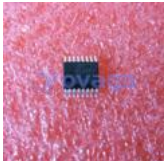
[QS3861PAG8](#)

Renesas Technology Corp
TSSOP-24



[QS3384QG](#)

Renesas Technology Corp
QSOP-24



[QS3257QG](#)

Renesas Technology Corp
QSOP-16



[QS3VH125QG](#)

Renesas Technology Corp
QSOP-16



[QS3861QG](#)

Renesas Technology Corp
QSOP-24



[QS3861PAG](#)

Renesas Technology Corp
TSSOP-24



[QS3245QG](#)

Renesas Technology Corp
QSOP-20



[QS3VH257QG8](#)

Renesas Technology Corp
QSOP-16