

NITRON 8K FLASH 908QY8, Microcontrollers (MCU) NITRON 8K FLASH 908QY8

Manufacturers	NXP Semiconductor
Package/Case	SOIC-16
Product Type	Programmable Logic ICs
RoHS	Rohs
Lifecycle	



Images are for reference only

Please submit RFQ for MC908QY8VDWE or [Email to us: sales@ovaga.com](mailto:sales@ovaga.com) We will contact you in 12 hours.

[RFQ](#)

General Description

MC908QY8VDWE is a microcontroller chip manufactured by NXP Semiconductors. It belongs to the 8-bit microcontroller family and uses the HC08 architecture.

Features

- It has a maximum operating frequency of 8 MHz.
- It has 8 KB of flash memory, 512 bytes of EEPROM memory, and 512 bytes of RAM.
- It has a 10-bit ADC with eight channels, two timer modules, and a serial communication interface.
- It operates on a supply voltage range of 2.7V to 5.5V.

Application

- MC68HC908QY8
- MC68HC908QY8CP
- MC68HC908QY8CPAE
- MC68HC908QY8CPBE
- MC68HC908QY8CPE
- MC68HC908QY8CPEAE
- MC68HC908QY8CPEBE
- MC908QY8CPE
- MC908QY8CPEAE
- MC908QY8CPEBE

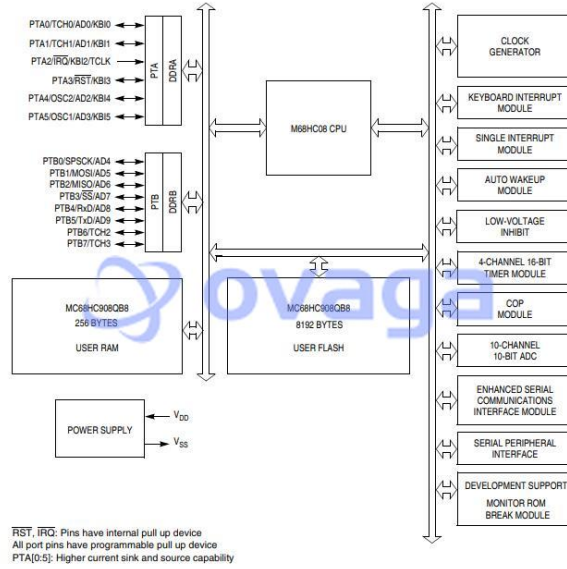


Figure 1-1. Block Diagram

Related Products



[MC9S12NE64VTUE](#)

NXP Semiconductor
TQFP-80



[MC912D60ACFUE8](#)

NXP Semiconductor
QFP-80



[MC68376BACAB20](#)

NXP Semiconductor
PQFP-160



[MC912DG128CCPVE](#)

NXP Semiconductor
TQFP-112



[MC9S08GB60ACFUE](#)

NXP Semiconductor
LQFP-64



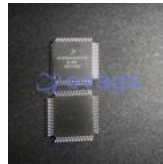
[MC908AB32CFUE](#)

NXP Semiconductor
PQFP-64



[MC9S08GB60CFU](#)

NXP Semiconductor
64-LQFP



[MC908AZ32ACFUE](#)

NXP Semiconductor
QFP-64