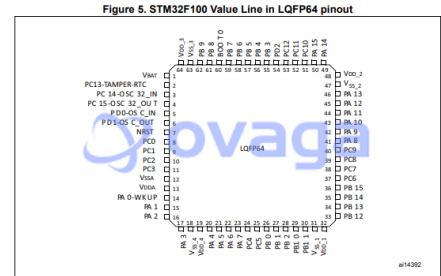


MCU 32-bit ARM Cortex M3 RISC 256KB Flash 2.5V/3.3V 64-Pin LQFP Tray

Manufacturers	STMicroelectronics, Inc
Package/Case	LQFP 64 10X10X1.4
Product Type	Embedded Processors & Controllers
RoHS	Rohs
Lifecycle	



Images are for reference only

Please submit RFQ for STM32F100RCT6B or [Email to us: sales@ovaga.com](mailto:sales@ovaga.com) We will contact you in 12 hours.

[RFQ](#)

General Description

Ovaga has a large stock of STM32F100RCT6B Embedded Processors & Controllers from STMicroelectronics, Inc and we guarantee that they are original, brand new parts sourced directly from STMicroelectronics, Inc We can provide quality testing reports for STM32F100RCT6B upon your request. To obtain a quote, simply fill in the required quantity, contact name, and email address in the quick quote form on the right. Our sales representative will contact you within 12 hours.

Figure 1. STM32F100 Value Line block diagram

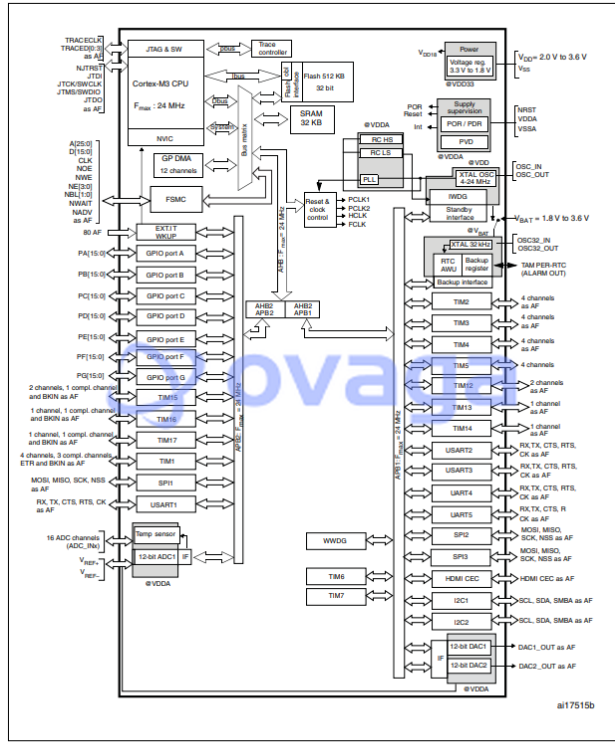
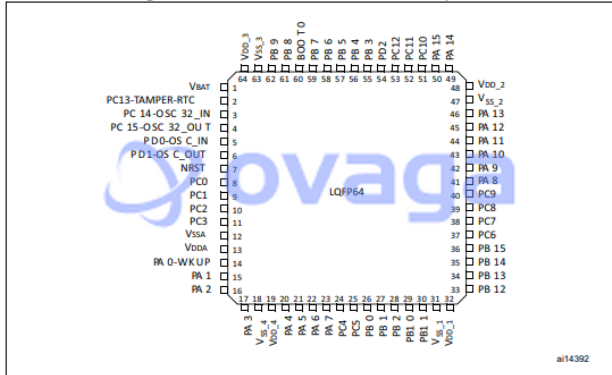


Figure 5. STM32F100 Value Line in LQFP64 pinout



1. AF = alternate function on I/O port pin.
2. $T_A = -40\text{ }^\circ\text{C}$ to $+85\text{ }^\circ\text{C}$ (junction temperature up to $105\text{ }^\circ\text{C}$) or $T_A = -40\text{ }^\circ\text{C}$ to $+105\text{ }^\circ\text{C}$ (junction temperature up to $125\text{ }^\circ\text{C}$).

Related Products



[STM32L151VET6](#)

STMicroelectronics, Inc
LQFP-100



[STM32F102C6T6A](#)

STMicroelectronics, Inc
LQFP48



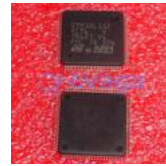
[STM32L452RET6P](#)

STMicroelectronics, Inc
64-LQFP



[STM32F446VCT6](#)

STMicroelectronics, Inc
100-LQFP



[STM32L152VCT6](#)

STMicroelectronics, Inc
LQFP10014x14x1.4



[STM32L476JEY6TR](#)

STMicroelectronics, Inc
72-UFBGA, WLCSP



[STM32F429BGT6](#)

STMicroelectronics, Inc
208-LQFP



[STM32G071CBT6TR](#)

STMicroelectronics, Inc
48-LQFP