

Medium-density performance line ARM-based 32-bit MCU with 64 or 128 KB Flash, USB, CAN, 7 timers, 2 ADCs, 9 communication interfaces, Microcontrollers (MCU) 32BIT Cortex M3 M/D Performance LINE



Images are for reference only

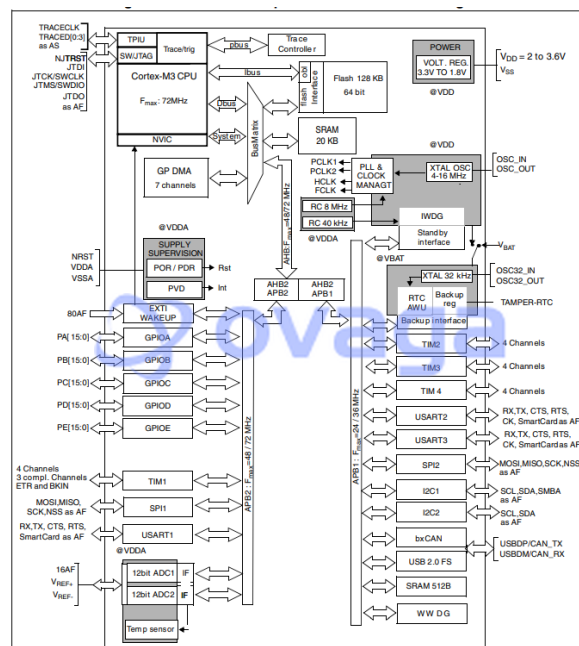
Manufacturers	STMicroelectronics, Inc
Package/Case	LQFP-64
Product Type	ARM Microcontrollers - MCU
RoHS	Green
Lifecycle	

Please submit RFQ for STM32F103RBT7 or [Email to us: sales@ovaga.com](mailto:sales@ovaga.com) We will contact you in 12 hours.

RFQ

General Description

Ovaga has a large stock of STM32F103RBT7 ARM Microcontrollers - MCU from STMicroelectronics, Inc and we guarantee that they are original, brand new parts sourced directly from STMicroelectronics, Inc We can provide quality testing reports for STM32F103RBT7 upon your request. To obtain a quote, simply fill in the required quantity, contact name, and email address in the quick quote form on the right. Our sales representative will contact you within 12 hours.



Related Products



[STM32F100RCT6TR](#)

STMicroelectronics, Inc
64-LQFP



[STM32F103RCT7](#)

STMicroelectronics, Inc
LQFP-64



[STM32F102C8T6](#)

STMicroelectronics, Inc
LQFP-48



[STR752FR2T6](#)

STMicroelectronics, Inc
64-LQFP



[ST92F150CV1QB](#)

STMicroelectronics, Inc
PQFP-100



[ST72C334N4T6](#)

STMicroelectronics, Inc
TQFP-64



[STR735FZ2T7](#)

STMicroelectronics, Inc
TQFP-144



[ST92F150JDV1QC](#)

STMicroelectronics, Inc
PQFP-100