

TinyLogic UHS Inverter with Schmitt Trigger Input; Package: MicroPak; No of Pins: 6;
 Container: Tape & Reel, Inverters Inv Sch Trigger Inp

Manufacturers	ON Semiconductor, LLC
Package/Case	BGA-6
Product Type	Logic ICs
RoHS	Rohs
Lifecycle	

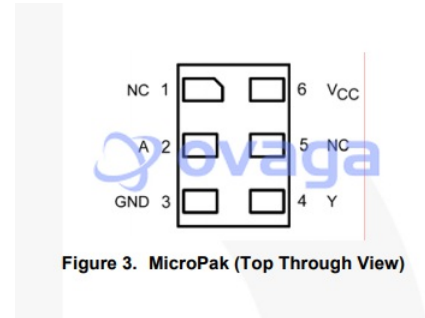


Figure 3. MicroPak (Top Through View)

Images are for reference only

Please submit RFQ for NC7SZ14L6X or [Email to us: sales@ovaga.com](mailto:sales@ovaga.com) We will contact you in 12 hours.

[RFQ](#)

General Description

The NC7SZ14 is a single inverter with Schmitt trigger input from Fairchild's Ultra-High Speed (UHS) series of TinyLogic®. The device is fabricated with advanced CMOS technology to achieve ultra-high speed with high output drive while maintaining low static power dissipation over a very broad VCC operating range. The device is specified to operate over the 1.65V to 5.5V VCC range. The inputs and outputs are high-impedance when VCC is 0V. Inputs tolerate voltages up to 6V independent of VCC operating voltage.

Application

ONSEMI

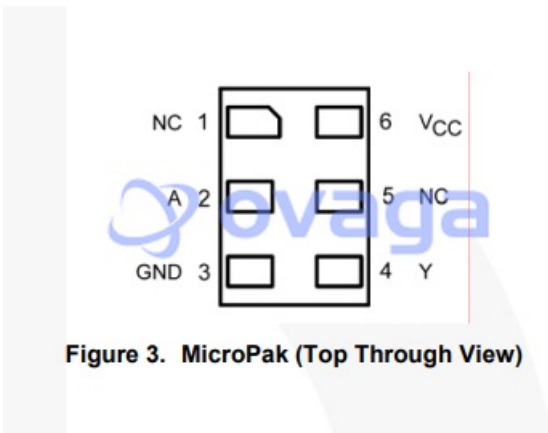


Figure 3. MicroPak (Top Through View)

Related Products



[NC7SZ18P6X](#)

ON Semiconductor, LLC
SC-70-6



[NC7SV04P5X](#)

ON Semiconductor, LLC
SC-70-5



[NC7SV32P5X](#)

ON Semiconductor, LLC
SC-70



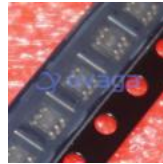
[NC7SV08P5X](#)

ON Semiconductor, LLC
SC-70



[NC7S32M5X](#)

ON Semiconductor, LLC
SOT-23



[NC7SV157P6X](#)

ON Semiconductor, LLC
SC-70-6



[NC7WZ08K8X](#)

ON Semiconductor, LLC
VSOP-8



[NC7SZ00P5X](#)

ON Semiconductor, LLC
SC-70