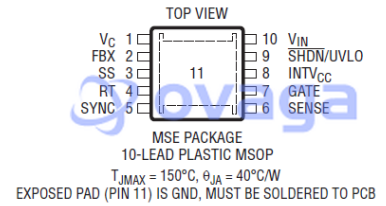


LT3757 - Boost, Flyback, SEPIC and Inverting Controller; Package: MSOP; Number of Pins: 10; Temperature Range: -40°C to 85°C

Manufacturers	Analog Devices, Inc
Package/Case	MSOP-10
Product Type	Power Management ICs
RoHS	Pb-free Halide free
Lifecycle	



Images are for reference only

Please submit RFQ for LT3757IMSE#PBF or [Email to us: sales@ovaga.com](mailto:sales@ovaga.com) We will contact you in 12 hours.

[RFQ](#)

General Description

The LT3757/LT3757A are wide input range, current mode, DC/DC controllers which are capable of generating either positive or negative output voltages. They can be configured as either a boost, flyback, SEPIC or inverting converter. The LT3757/LT3757A drive a low side external N-channel power MOSFET from an internal regulated 7.2V supply. The fixed frequency, current-mode architecture results in stable operation over a wide range of supply and output voltages.

The operating frequency of LT3757/LT3757A can be set with an external resistor over a 100kHz to 1MHz range, and can be synchronized to an external clock using the SYNC pin. A low minimum operating supply voltage of 2.9V, and a low shutdown quiescent current of less than 1μA, make the LT3757/LT3757A ideally suited for battery-operated systems.

The LT3757/LT3757A feature soft-start and frequency foldback functions to limit inductor current during startup and output short-circuit. The LT3757A has improved load transient performance compared to the LT3757.

APPLICATIONS

Features

Wide Input Voltage Range: 2.9V to 40V

Positive or Negative Output Voltage Programming with a Single Feedback Pin

Current Mode Control Provides Excellent Transient Response

Programmable Operating Frequency (100kHz to 1MHz) with One External Resistor

Synchronizable to an External Clock

Low Shutdown Current $< 1\mu\text{A}$

Internal 7.2V Low Dropout Voltage Regulator

Programmable Input Undervoltage Lockout with Hysteresis

Programmable Soft-Start

Small 10-Lead DFN ($3\text{mm} \times 3\text{mm}$) and Thermally Enhanced 10-Pin MSOP Packages

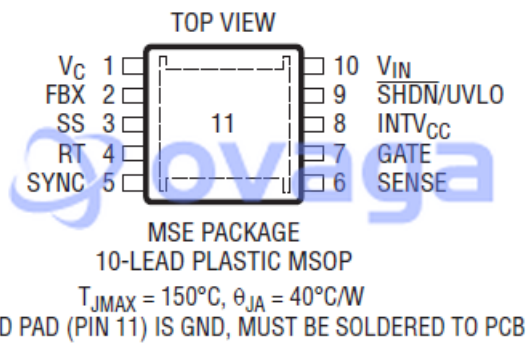
AEC-Q100 Qualified for Automotive Applications

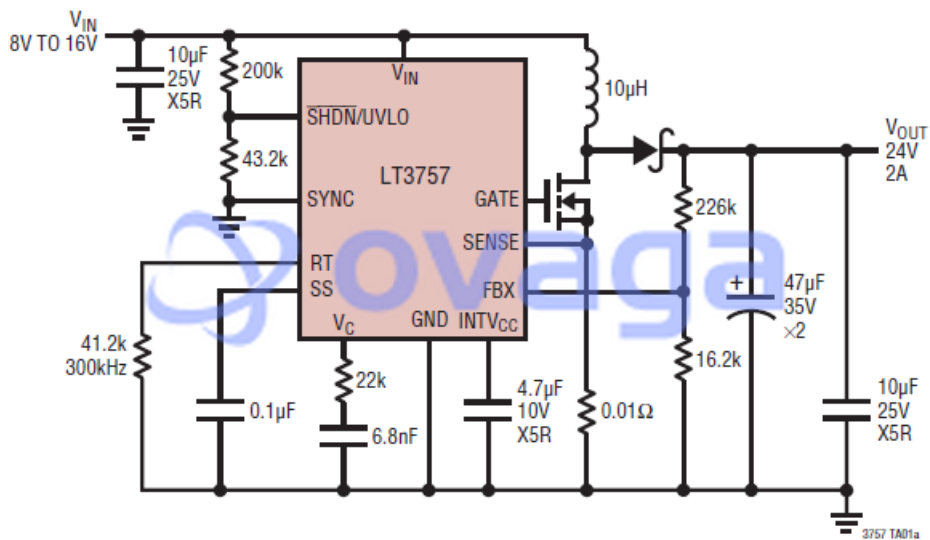
Application

Automotive and Industrial Boost, Flyback, SEPIC and Inverting Converters

Telecom Power Supplies

Portable Electronic Equipment





Related Products



[LT3763EFE](#)

Analog Devices, Inc
TSSOP28



[LTC4417IUF](#)

Analog Devices, Inc
QFN-24



[LTC1966CMS8#PBF](#)

Analog Devices, Inc
MSOP-8P



[LTM8045EY#PBF](#)

Analog Devices, Inc
BGA40



[LT1038CK](#)

Analog Devices, Inc
TO-3



[LTC3440EMS](#)

Analog Devices, Inc
MSOP10



[LTC2990IMS#PBF](#)

Analog Devices, Inc
10MSOP



[LT4295IUFD#PBF](#)

Analog Devices, Inc
28-WFQFN