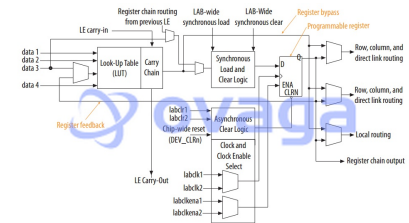


Field Programmable Gate Array, 16000-Cell, CMOS, PBGA484, 23 X 23MM, 1MM PITCH, ROHS COMPLIANT, FBGA-484



Images are for reference only

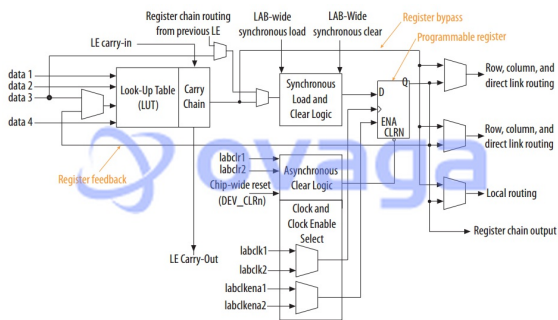
Manufacturers	Intel Corp
Package/Case	FBGA-484
Product Type	Programmable Logic ICs
RoHS	
Lifecycle	

Please submit RFQ for 10M16DAF484C8G or [Email to us: sales@ovaga.com](mailto:sales@ovaga.com) We will contact you in 12 hours.



General Description

Ovaga has a large stock of 10M16DAF484C8G Programmable Logic ICs from Intel Corp and we guarantee that they are original, brand new parts sourced directly from Intel Corp We can provide quality testing reports for 10M16DAF484C8G upon your request. To obtain a quote, simply fill in the required quantity, contact name, and email address in the quick quote form on the right. Our sales representative will contact you within 12 hours.



Related Products



[10CL006YE144C8G](#)

Intel Corp
LQFP-144



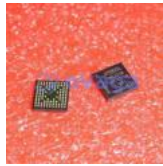
[10CL040YU484C8G](#)

Intel Corp
484-FBGA



[10CL040YU484I7G](#)

Intel Corp
484-FBGA



[5M570ZM100I5N](#)

Intel Corp
BGA-100



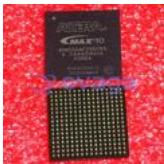
[EPM240T100I5](#)

Intel Corp
TQFP-100



[10M50SCE144C8G](#)

Intel Corp
EQFP-144



[10M25DAF256C8G](#)

Intel Corp
256-LBGA



[10M25DAF484C8G](#)

Intel Corp
484-BGA