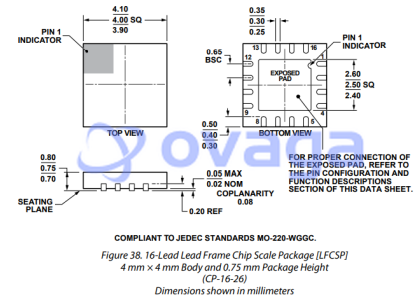


5 Ω Max Ron, 4 - /8 - Channel ± 15 V /12 V ± 5 V Multiplexers

Manufacturers	Analog Devices, Inc
Package/Case	LFCSP-16
Product Type	Multiplexer Switch ICs
RoHS	Rohs
Lifecycle	



Images are for reference only

Please submit RFQ for ADG1408YCPZ-REEL7 or [Email to us: sales@ovaga.com](mailto:sales@ovaga.com) We will contact you in 12 hours.

[RFQ](#)

General Description

The ADG1408/ADG1409 are monolithic iCMOS® analog multiplexers comprising eight single channels and four differential channels, respectively. The ADG1408 switches one of eight inputs to a common output, as determined by the 3-bit binary address lines, A0, A1, and A2. The ADG1409 switches one of four differential inputs to a common differential output, as determined by the 2-bit binary address lines, A0 and A1. An EN input on both devices is used to enable or disable the device. When disabled, all channels are switched off.

The industrial CMOS (iCMOS) modular manufacturing process combines high voltage complementary metal-oxide semiconductor (CMOS) and bipolar technologies. It enables the development of a wide range of high performance analog ICs capable of 33 V operation in a footprint that no other generation of high voltage parts has been able to achieve. Unlike analog ICs using conventional CMOS processes, iCMOS components can tolerate high supply voltages while providing increased performance, dramatically lower power consumption, and reduced package size.

The ultralow on resistance and on resistance flatness of these switches make them ideal solutions for data acquisition and gain switching applications where low distortion is critical. iCMOS construction ensures ultralow power dissipation, making the parts ideally suited for portable and battery-powered instruments.

Product Highlights

4 Ω on resistance.

0.5 Ω on-resistance flatness.

3 V logic compatible digital input, = 0.8 V.

16-lead TSSOP and 4 mm \times 4 mm LFCSP.

Features

4.7 Ω maximum on resistance at 25°C

0.5 Ω on resistance flatness

Up to 190 mA continuous current

Fully specified at ± 15 V/ $+12$ V/ ± 5 V

3 V logic-compatible inputs

Rail-to-rail operation

Break-before-make switching action

16-lead TSSOP and 4 mm \times 4 mm LFCSP

ADG1408-EP supports defense and aerospace applications (AQEC standard)

Download the(pdf file)

Military temperature range: -55°C to $+125^{\circ}\text{C}$

Controlled manufacturing baseline

One assembly and test site

One fabrication site

Enhanced product change notification

Qualification data available on request

V62/11612 DSCC Drawing Number

Application

Relay replacement

Audio and video routing

Automatic test equipment

Data acquisition systems

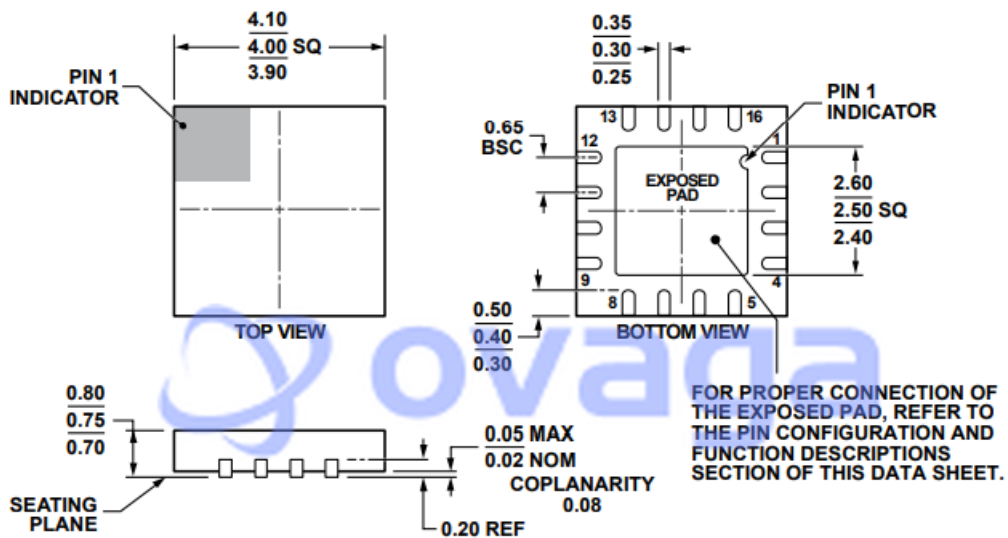
Temperature measurement systems

Avionics

Battery-powered systems

Communication systems

Medical equipment



COMPLIANT TO JEDEC STANDARDS MO-220-WGGC.

Figure 38. 16-Lead Lead Frame Chip Scale Package [LFCSP]
4 mm × 4 mm Body and 0.75 mm Package Height
(CP-16-26)

Dimensions shown in millimeters

042709-A

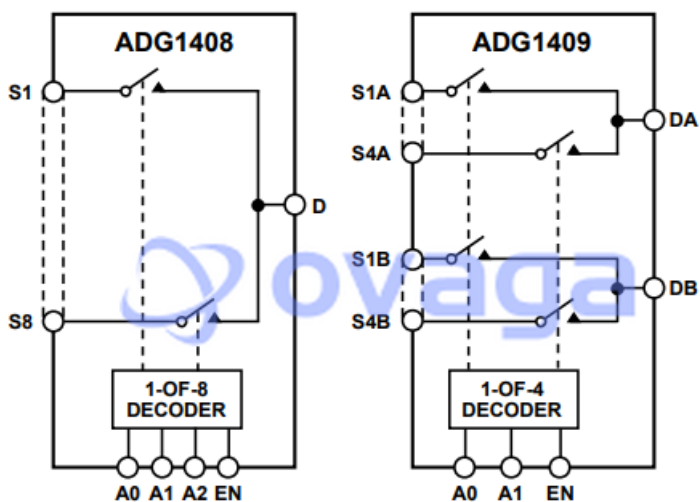
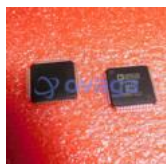


Figure 1.

04861-001

Related Products



[ADV7181CBSTZ](#)

Analog Devices, Inc
LQFP-64



[AD8170AR](#)

Analog Devices, Inc
SOP8



[AD724JR](#)

Analog Devices, Inc
SOIC-16



[ADV7393BCPZ](#)

Analog Devices, Inc
LFCSP-VQ-40



[ADV7391WBCPZ](#)

Analog Devices, Inc
LFSCP-3



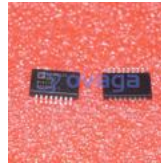
[ADV7390BCPZ](#)

Analog Devices, Inc
QFN32



[ADV7341BSTZ](#)

Analog Devices, Inc
LQFP-64



[ADUM4160BRIZ](#)

Analog Devices, Inc
SOIC-16